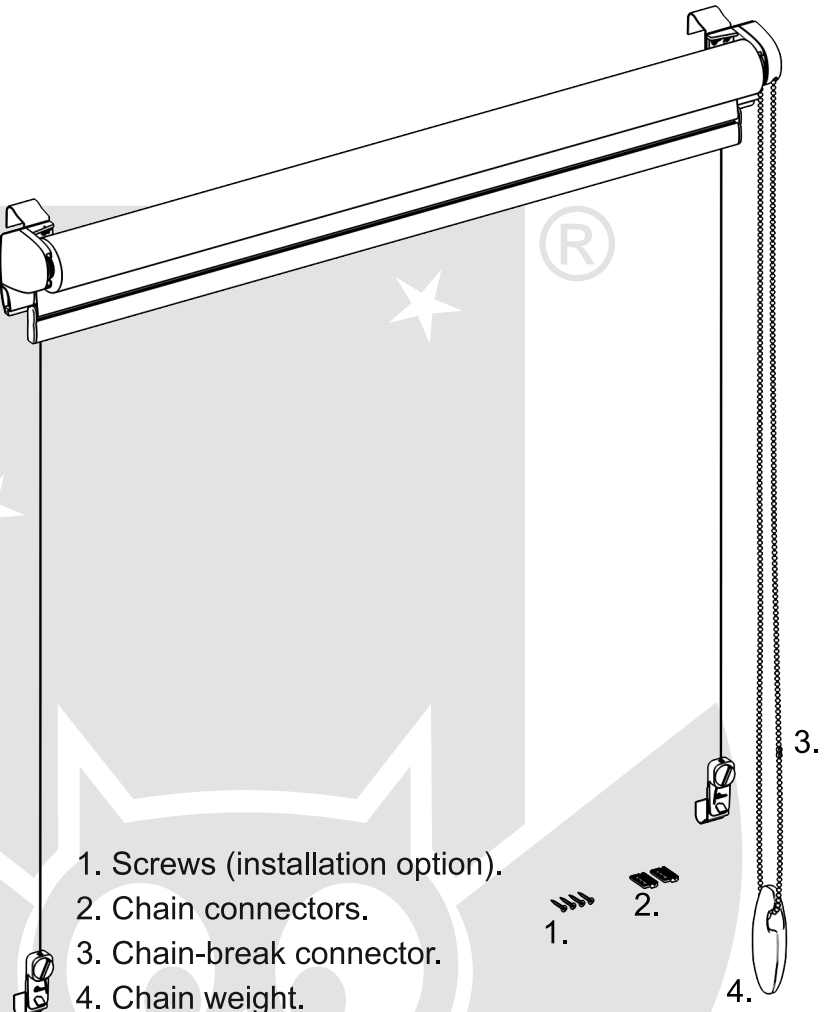
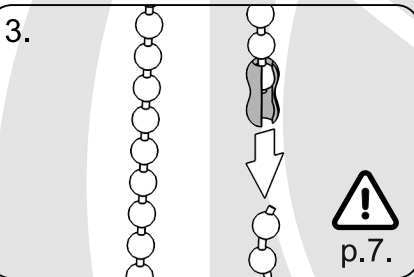
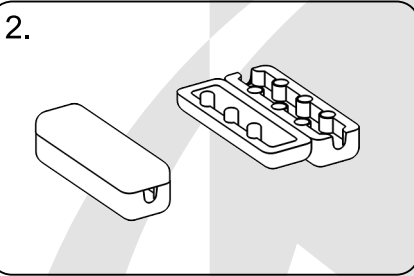
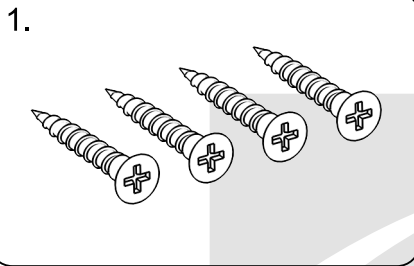




Installation instructions

Vegas Mini "Day and Night" fabric roller blind

Packaging content:

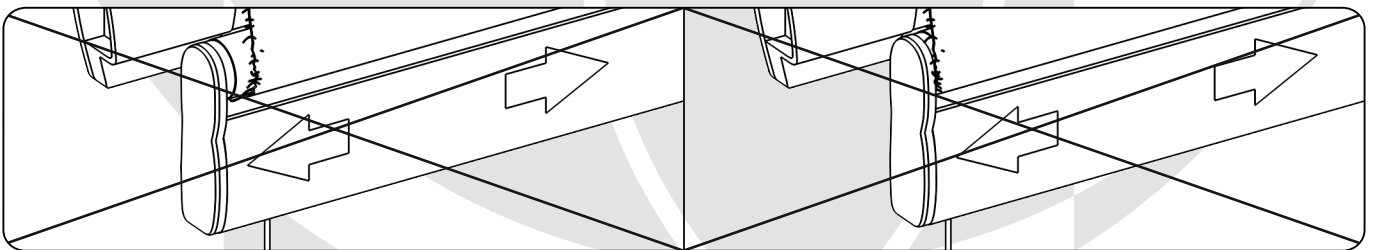


- 1. Screws (installation option).
- 2. Chain connectors.
- 3. Chain-break connector.
- 4. Chain weight.

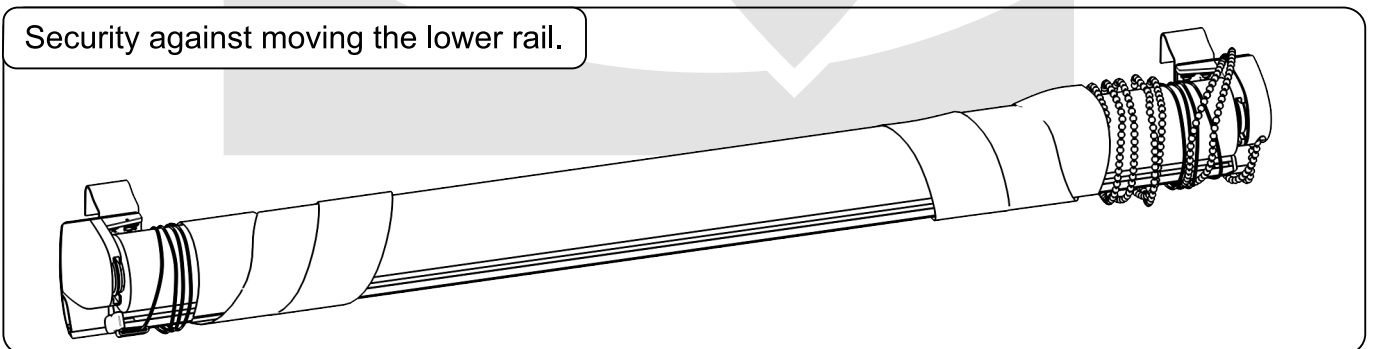


Warning!

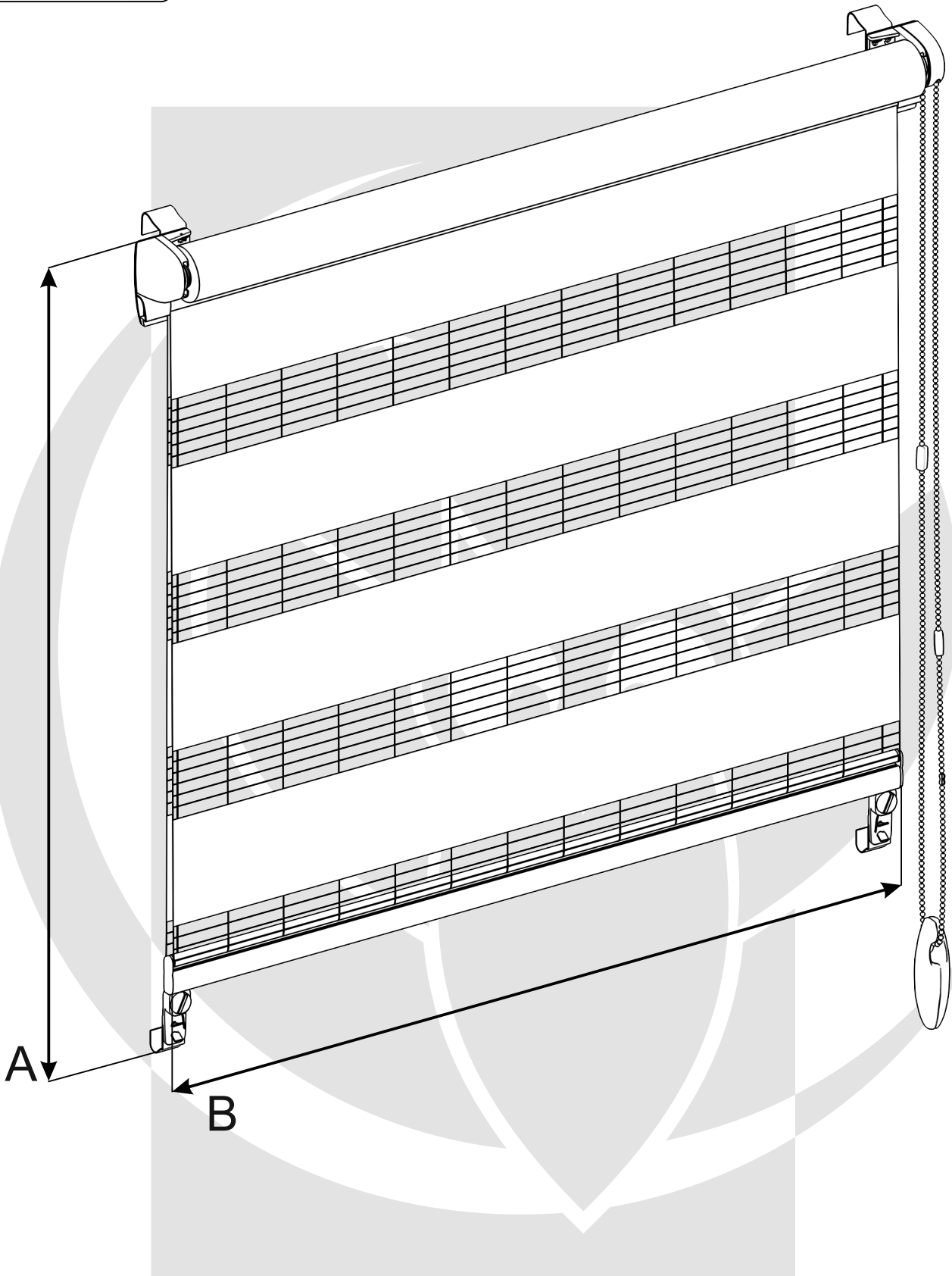
During transport, unpacking and installation should pay special attention to the protection of the bottom rail from moving sideways. Bottom rail moving side to side and hitting the fabric destroys it. Impact damage to the fabric exists **only in the transport and during assembly**, during use, the problem does not occur.



Security against moving the lower rail.

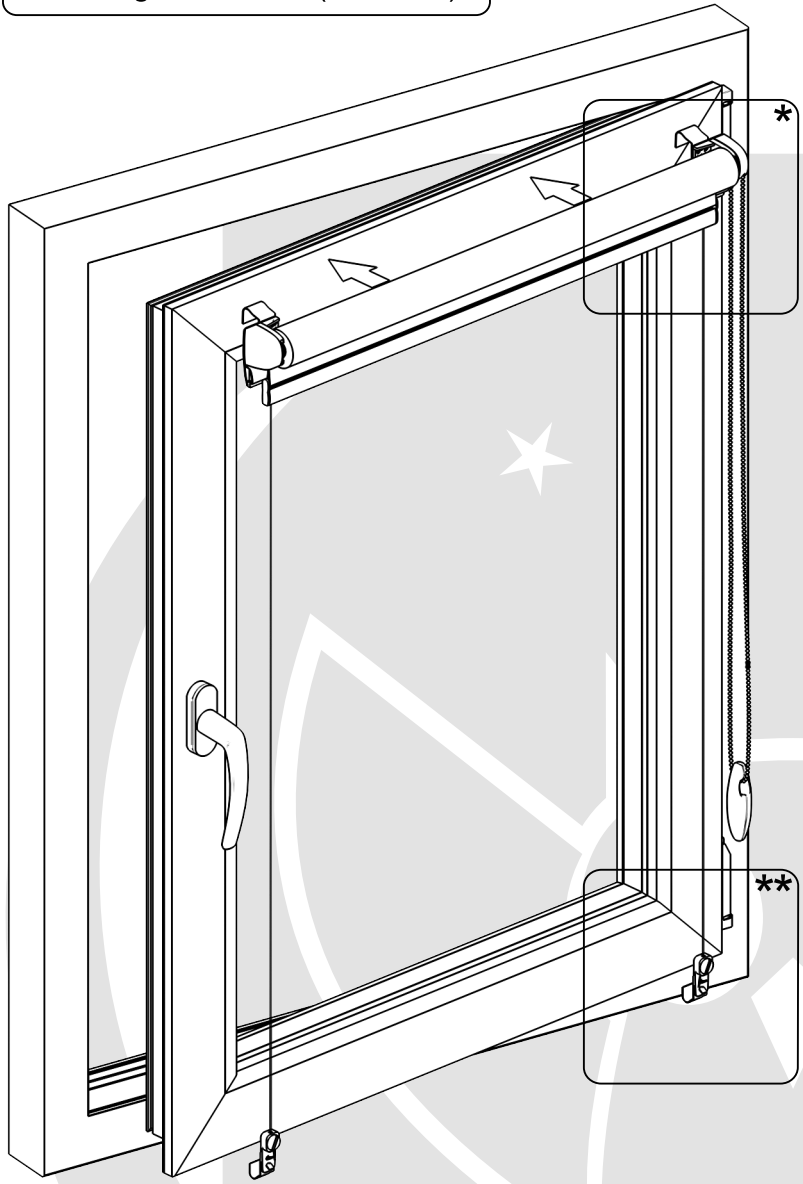


Measurement.

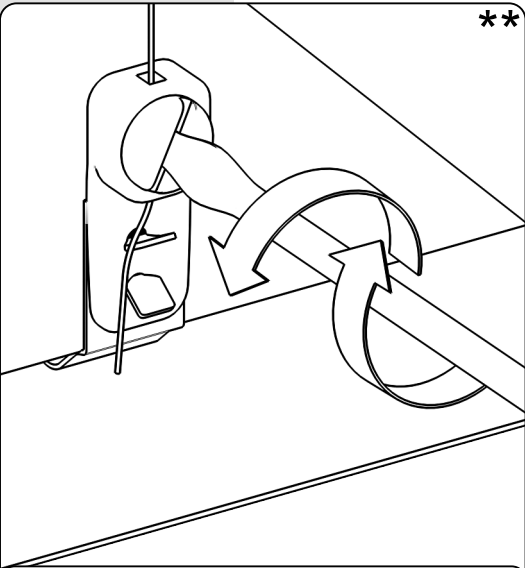


A - window sash opening height specified when ordering.
B - fabric width specified when ordering. The difference between overall width and fabric width is: 41 mm.

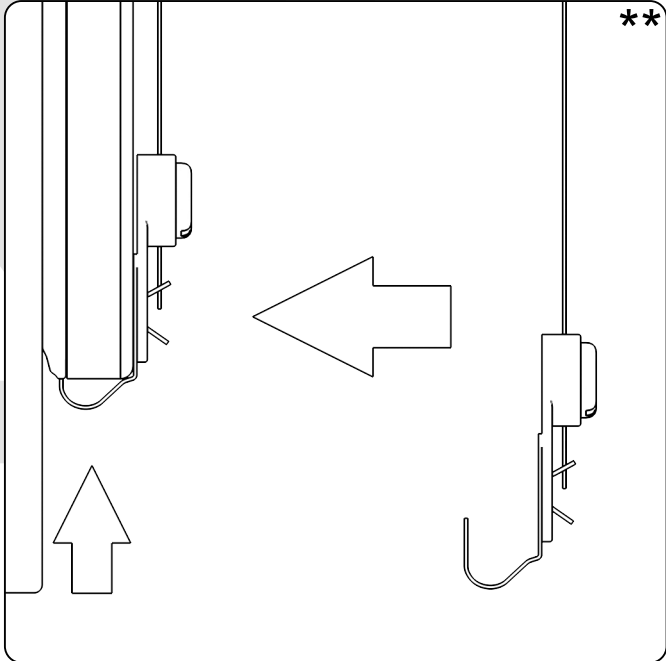
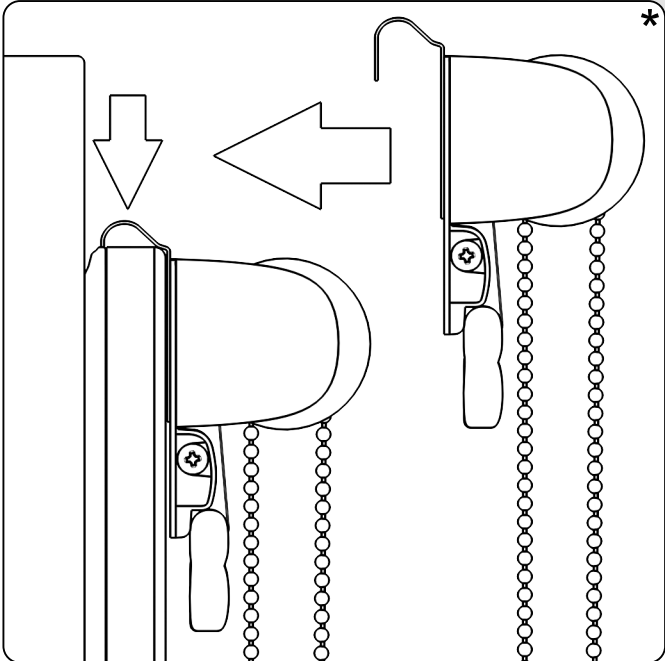
Installing roller blind (brackets).



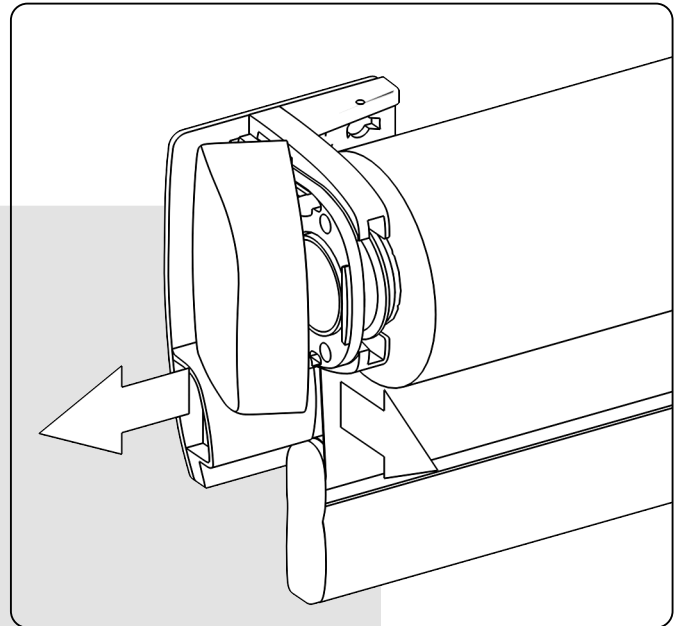
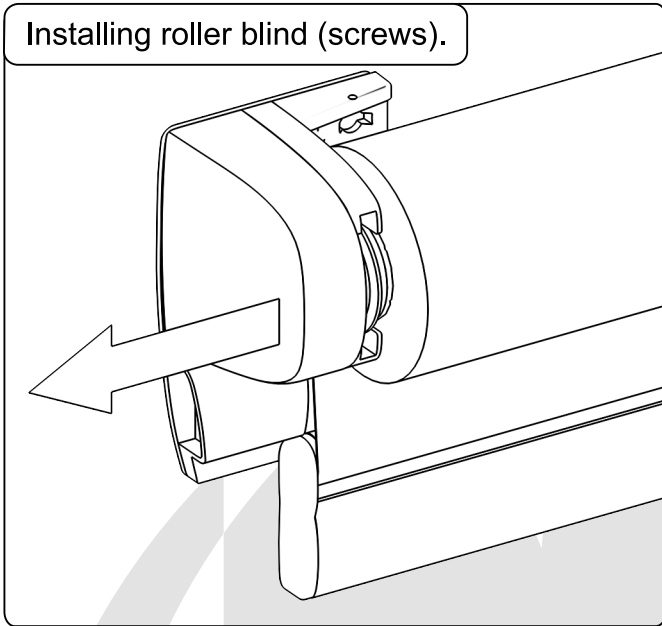
Make sure the side string is slightly loose above the mount bracket before tightening. **



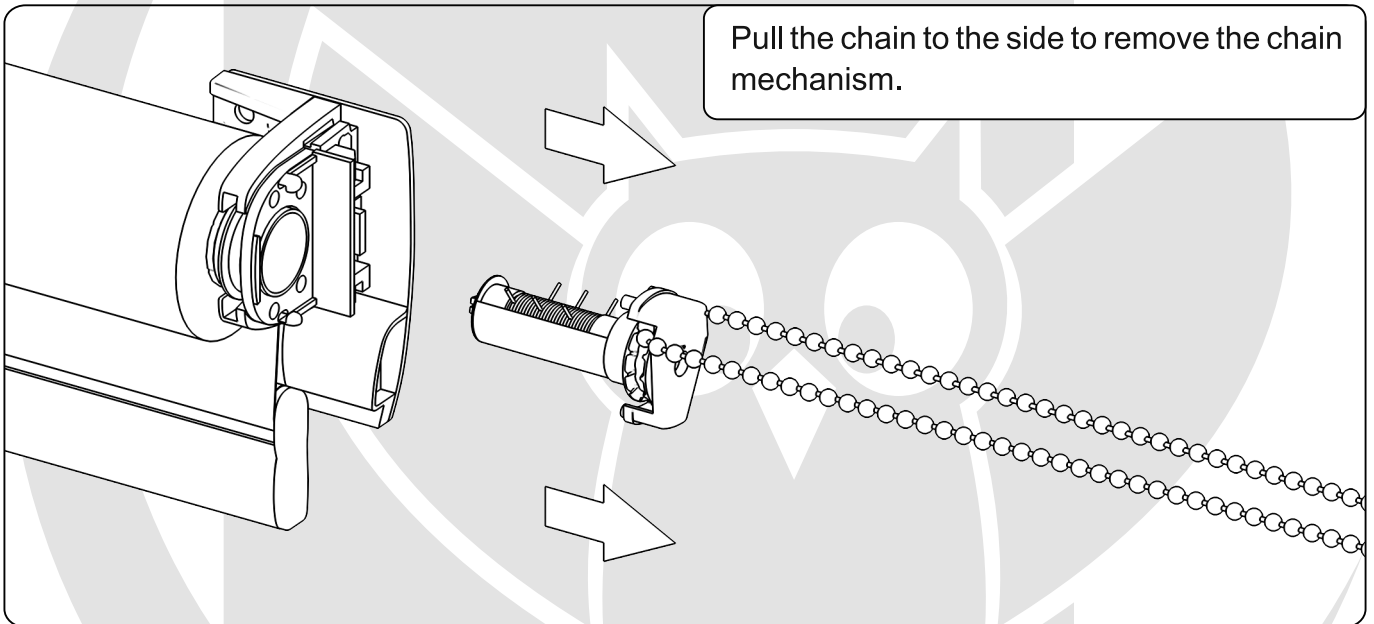
Loosening/tightening the side string



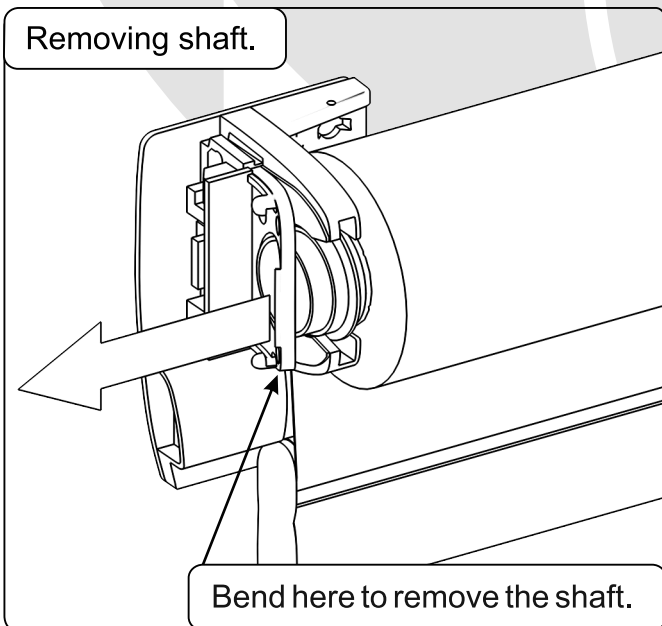
Installing roller blind (screws).



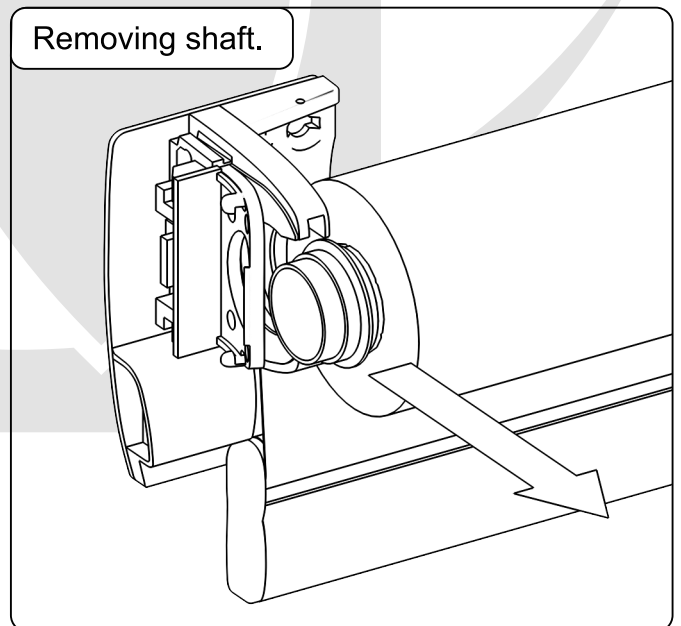
Pull the chain to the side to remove the chain mechanism.

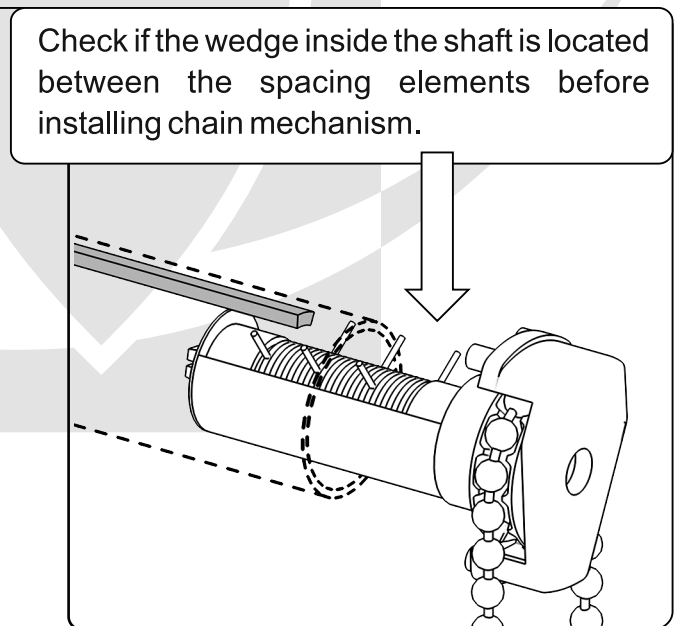
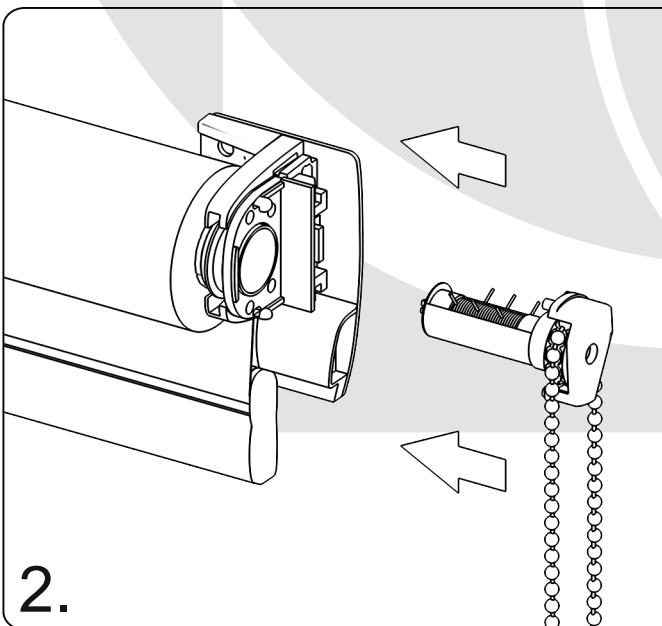
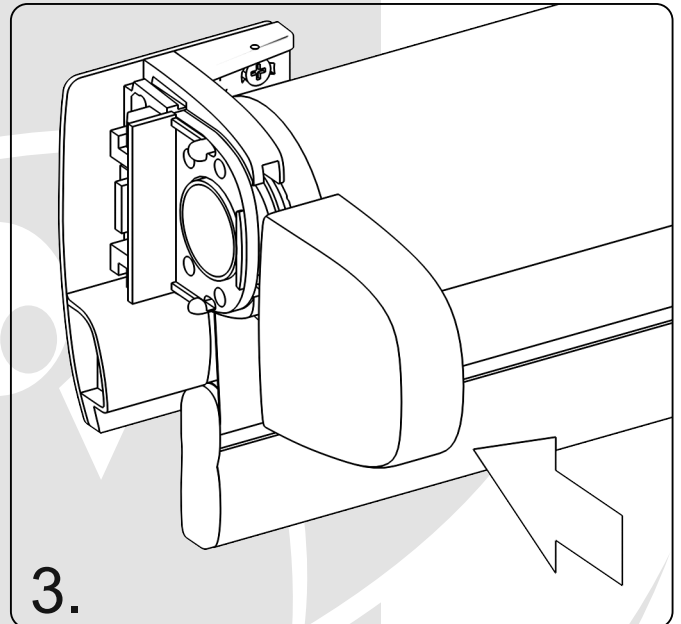
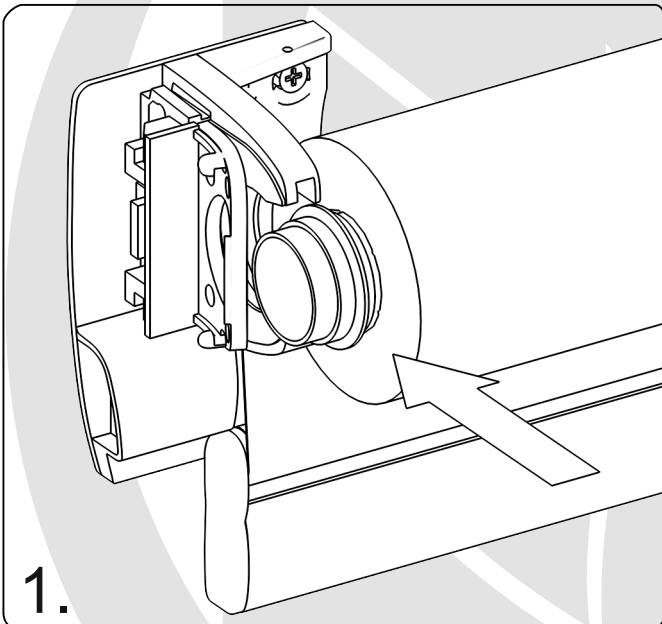
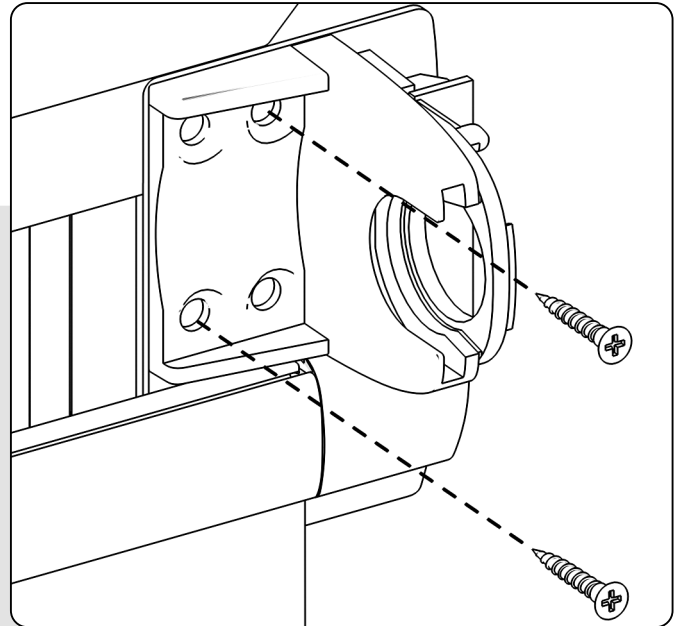
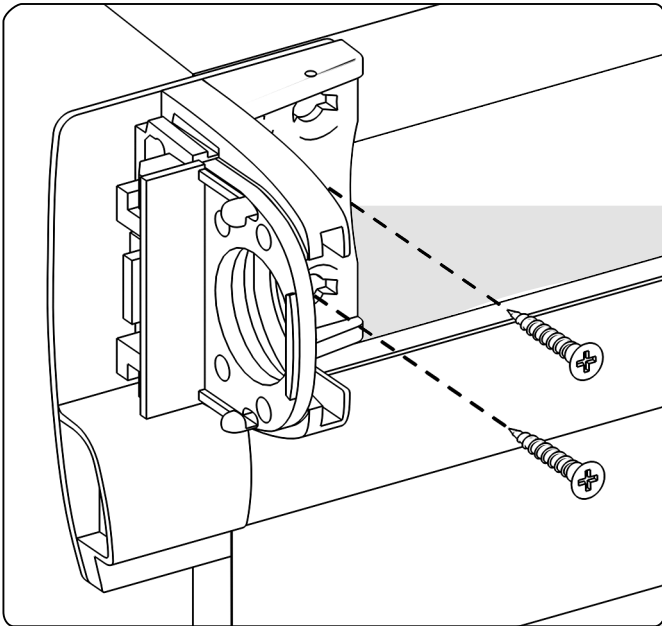


Removing shaft.



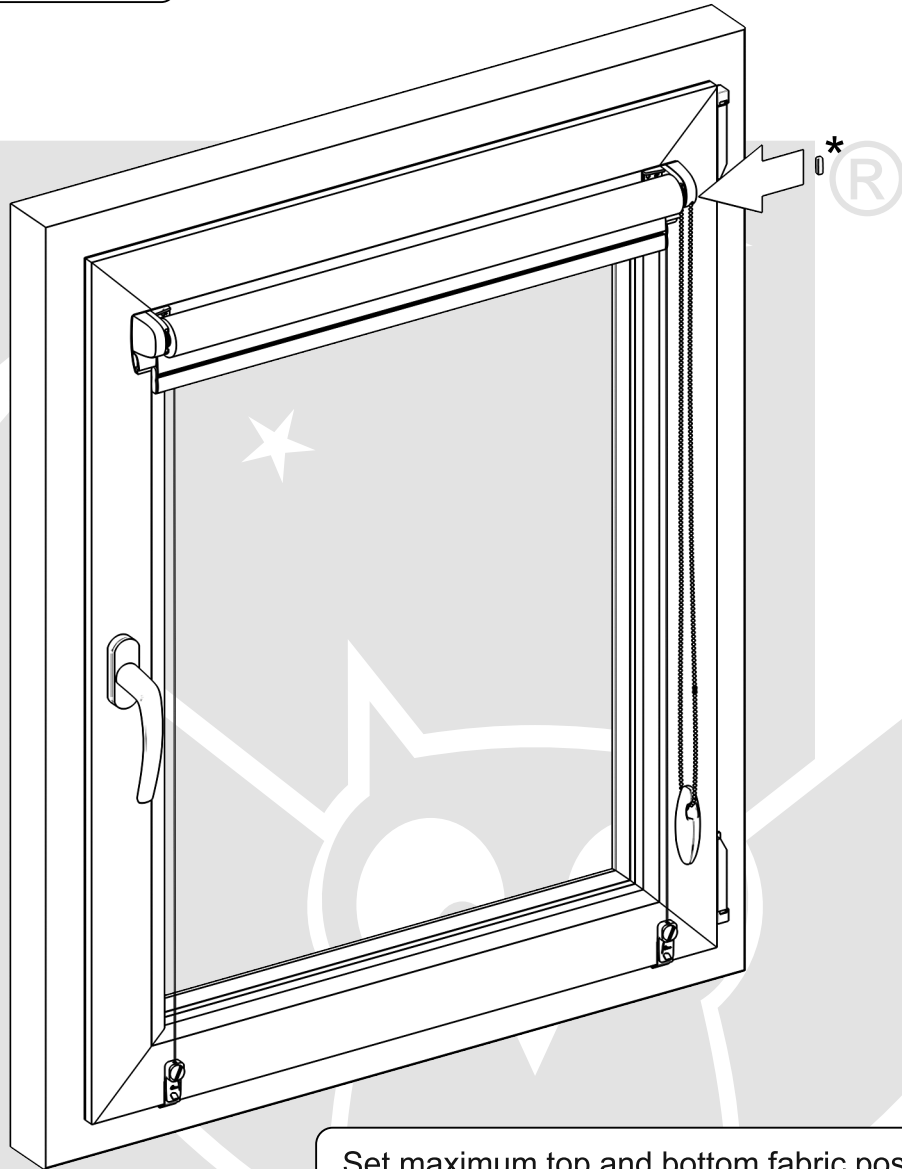
Removing shaft.



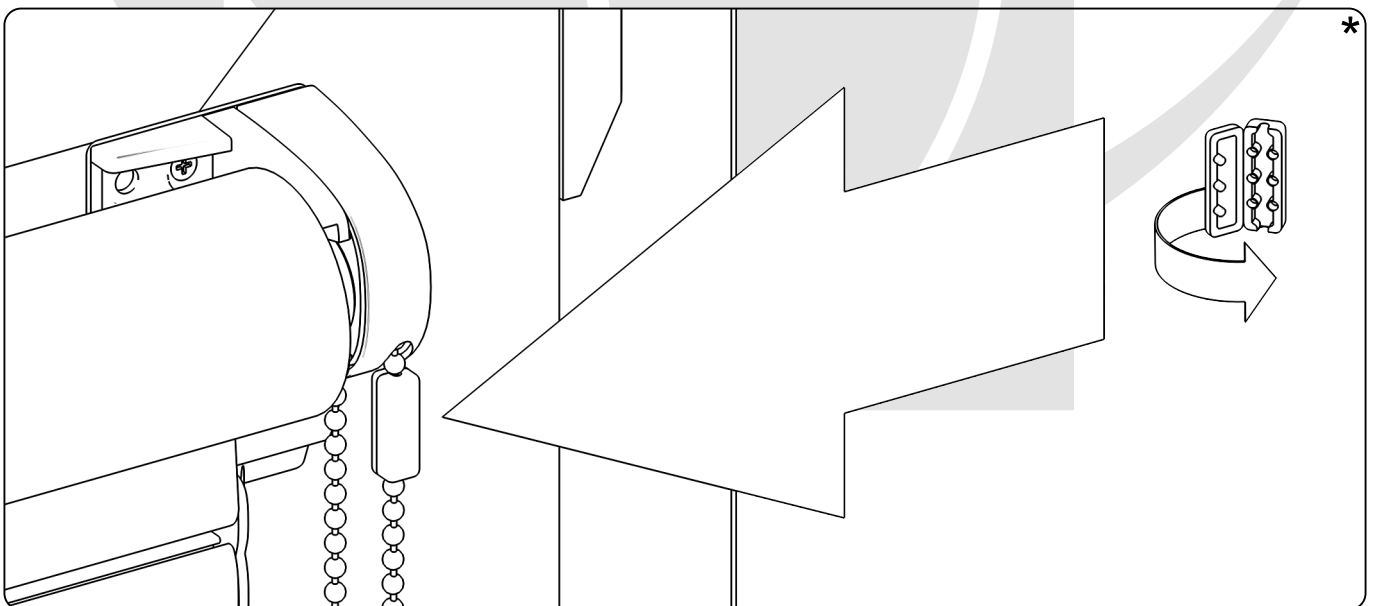


Check if the wedge inside the shaft is located between the spacing elements before installing chain mechanism.

Installing chain connectors.

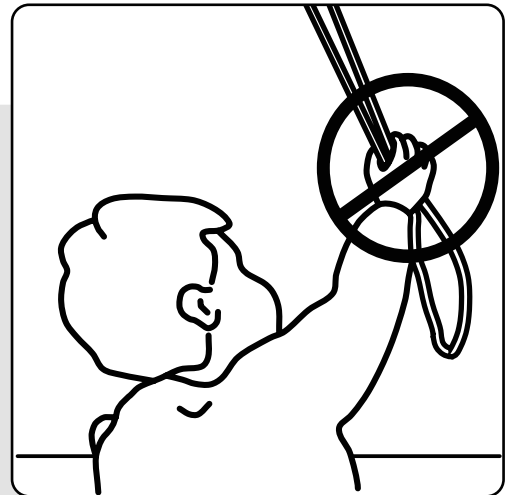


Set maximum top and bottom fabric position with the chain connectors.

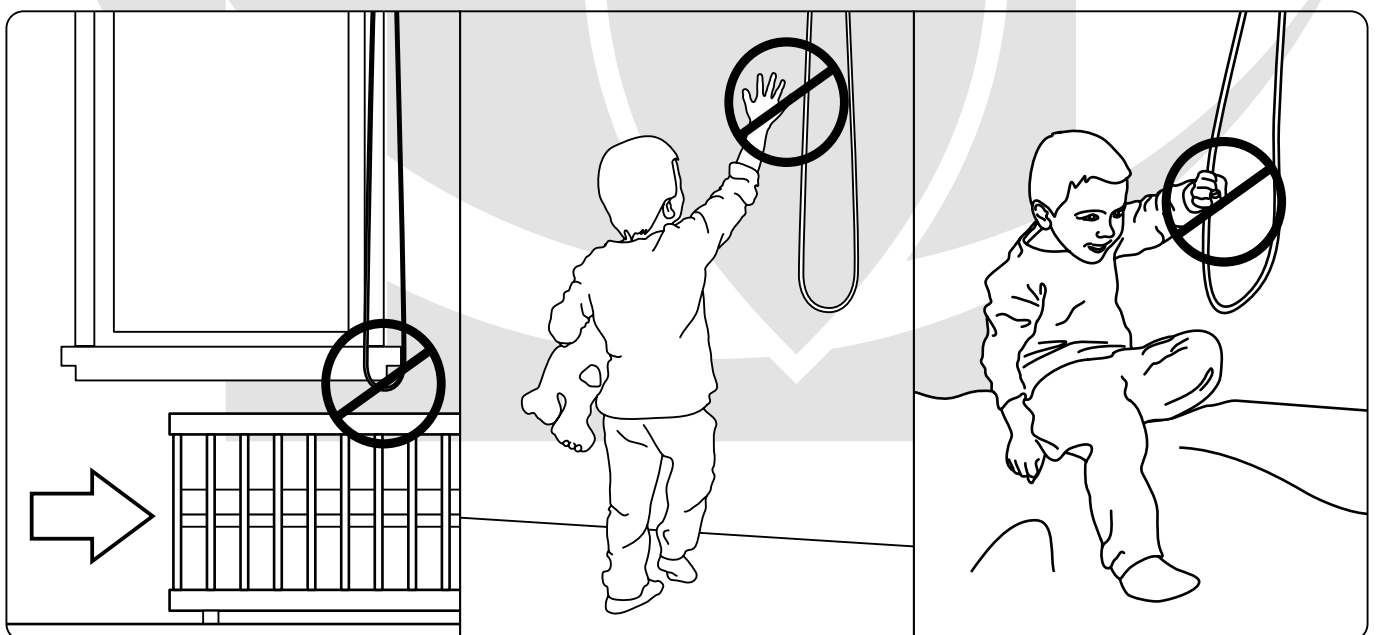
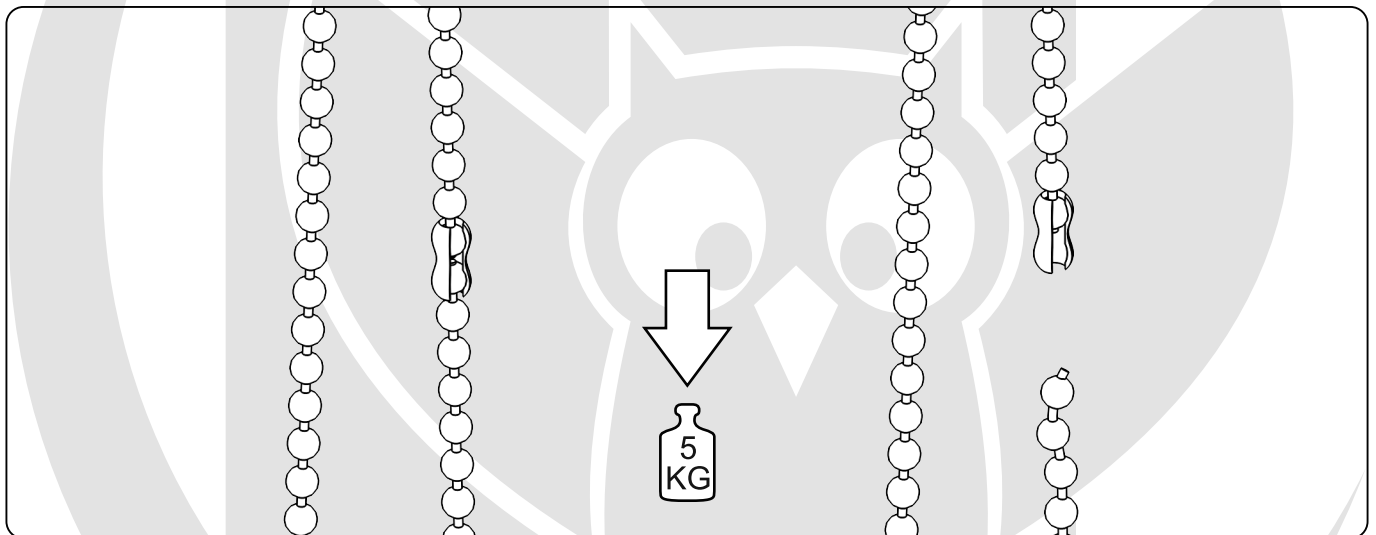


WARNING!

Small children can be strangled in the loops of cords, chains or belts used to operate roller blinds. Children can also wrap cords around their necks. Cords must be kept out of reach of children to avoid entanglement and strangulation. Move beds, cots and furniture away from window covering cords and chains.



To prevent accidental strangulation, all roller blinds are fitted with a chain-break connector as per **EN 13120:2009+A1:2014**.





Fart Produkt Sp. z o. o. Sp. k.
ul. Towarowa 3, 87-100 Toruń
tel. +48 56 623 55 77
e-mail: export@fartprodukt.pl
www.fartprodukt.pl